

VIKING – VS 1325 REMOTE ANTI-CARJACKING CAR ALARM

1. Button 1 (Lock Button): Arm /Siren Stop / Remote Lock/ Panic

a. Arm the system:

- Chirp once, parking lights flash once, LED flash slowly, door locked & armed. Will chirp & flash 3 times if door is not closed well while arming.
- System can be triggered 10 seconds after armed, while all doors closed.
- Siren Stop: When alarm is triggered, siren will sound & parking lights will flash for 30 seconds. Press button 1 to stop, system still will be kept armed.

b. Lock Only by Remote:

While ignition is on, press this button once to lock the doors only.

c. Panic:

While ignition is off, press and hold button 1, siren will sound & parking lights will flash for 30 seconds.

2. Button 2 (Unlock Button): Disarm/Remote Unlock/Set Silent Arm-Disarm

a. Disarm the system:

- Chirp twice, parking lights flash twice, LED flash rapidly and unlock all doors and disarm system.
- The system will auto arm & lock the door if the door never opened or ignition key never switched on within 30 seconds after miss-press of the transmitter.
- If system has been triggered, system will chirp & flash four times when you disarm it.

b. Unlock Only by Remote:

While ignition is on, press this button once to Unlock doors only.

c. Silent Arm-Disarm:

When the system is disarmed, hold this button for over 2 seconds. The system will be programmed to chirp arm/disarm if chirp and flash 5 times; will be set to silent arm/disarm if only flash 5 times.

d. Stop Car Locating / Panic:

When car locating or panic is activated, press this button once to stop it.

3. Button 3 (Trunk Button): Trunk Release/ Car Locating

a. Trunk Release:

While ignition is off, press and hold this button for over 2 seconds, and it will output a 1.2 second negative trunk release signal & flash four times.

b. Car Locating:

When system is armed, press this button twice (**push second time within 2 seconds of first push, otherwise there will be no function.**) will chirp (pulsating) & flash 30 seconds for car locating. If the system is triggered, siren will sound (continuous, when SIREN output selected) & parking lights will flash for 30 seconds (**Except for warn away**).

4. a. Security Rearm and Lock

The system will rearm & relock itself if the door never opened or ignition key never switched on within 30 seconds after disarmed by the transmitter to prevent any accident press of the transmitter.

b. Passive Arm:

The system will auto arm itself 30 seconds after switch off the ignition & open the door then close all doors if "Passive Arm" function is set to enable. By factory default, this function is disabled.

c. Passive Lock:

The system will auto lock itself 30 seconds after switch off the ignition & open the door then close all doors if "Passive Arm" & "Passive Lock" function are set to enable. By factory default, this function is disabled.

d. Ignition Lock/Unlock:

If this function is enabled, the door will be locked 4 seconds after ignition turn on by key, and auto unlock once after ignition key off. However, this function will NOT become active if door opened while ignition key is on.

5. Activating Anti Car-Jacking

e. Passive Anti Car-Jacking:

- 1). Turn the ignition switch to "ON" position.
- 2). Once the system is armed, if you are forced from the vehicle, the system will be triggered when the door is opened and closed, while the ignition is on.

f. Trigger Anti Car-Jacking:

3-Sequence circuits will function as follows:

First sequence: a) 50-seconds after the system has been triggered, the siren will start chirping for 15 seconds.

b) During this 15 second period of chirping, you will have to press the Lock button once to Turn off the car-jacking feature temporarily.

c) If not, it will enter second sequence car jacking.

Second sequence: 65 seconds after the system has been triggered, the siren starts alarming, and the parking lights start flashing.

Third sequence: 90 seconds after the system has been triggered,

2.

- a) The siren will still be alarming and the parking lights will still be flashing.
- b) The starter disable will be activated to prevent the vehicle from starting again.
- c) It will remain active until the vehicle's battery power exhausted.

6. Remote Setting: Passive Arm/Transmitter Code-Learning/Passive Lock/Ignition Lock-Unlock/Anti Car-Jacking/ New Override PIN number setting

1). Please disarm the system by transmitter.

2). Open the door and leave it open.

3). Please refer the Remote Table (page 3) for how many times ignition Off-On switching for specific features setting or delete.

Example 1: Passive Arm setting or delete.

a. Switch the ignition key Off-On 5 times, and keep at on position at 5th time.

b. After 3 seconds, the parking lights will flash once.

c. Press the any button on the transmitter once.

d. Parking lights will flash 3 times to confirm it is enabled, or flash once to confirm feature is disabled.

Switch Off the ignition to close the setting or continue another feature setting.

Example 2: Transmitter Programming

a. System must be disarmed. Switch the ignition key Off-On 7 times, and keep at on position at 7th time.

b. After 3 seconds, the parking lights will flash twice. Press any button once on the new transmitter.

c. The parking lights will flash 4 times to confirm the code is learned.

d. Switch off the ignition and then follow the above procedures step (a) to (d) to learn the 2nd transmitter code.

f. Turn off the ignition and close the door to close end transmitter programming.

ATTENTION: * The existing (if only lost 1 transmitter) non-lost transmitter must be programmed again, after new transmitter is programmed to the let system still keep in memory the existing non-lost Transmitter's code.

* The system can memorize 2 transmitter's codes only, the 1st transmitter code will be replaced by the 3rd transmitter code and 2nd by the 4th transmitter code. If you have only 1 transmitter to be programmed, it is suggested to program the transmitter code 2 times to occupy the 2nd code memory of the control module to avoid the risk of unknown 2nd transmitter being programmed.

4). Please refer to the Remote Table (page 3) for how many times ignition Off-On switching, then follow the above Step 1 to 3) and example 1 to program Passive Arm, Passive Lock, Learning new transmitter, Ignition Lock / Unlock, New override PIN number setting features.

- If Passive Arm & Passive Lock is enabled, the system will auto arm & lock doors 30 seconds after ignition turned off and after open and close all doors.
- The Passive Lock will not be enabled if Passive Arm is not enabled.
- When system has been override, Passive Arm will automatically be disabled, you may refer to the Remote Table (page 3) for how many times ignition Off-On for setting or delete.

5). New PIN number setting: Please refer to the page 3 Remote Table for new PIN number setting.

6). Factory Default is: Passive Arm **Disable** / 0.5 seconds lock timing / Passive Lock **Disable** / Ignition Lock-Unlock **Enable** / PIN number **24**/ Anti Car-Jacking **Disable**/ Passive Anti Car-Jacking **Disable**

7. 2-Stage Shock Sensing

The system comes with 2-stage shock sensing will chirp & flash 5 times if warn away triggered.

Will sound & flash for 30 seconds if alarm is triggered.

8. Shock Sensor Delete

Press button 3 within 3 seconds after the system is armed (or silent armed), will enable, or disable shock sensing as below:

Press button 3	Function	Indication	Remark:
1 time	Disable warn-away	Siren chirp & Parking lights flash once	In Silent arm state, siren will not chirp, only parking lights will flash for indication.
2 times	Disable shock and warn-away	Siren chirp & Parking lights flash twice	
3 times	Enable shock and warn-away	Siren chirp & Parking lights flash three times	

- 1). The system will be automatically detect warn-away and alarm trigger sensing when system armed.
- 2). Press button 3 four times will be the same as one time pressing, 5 times is the same as 2 times, 6 times is the same as 3 times.
- 3). If you do not press button 3 after the system in arm state, shock sensor will stay enabled.

9. System Override & Exit Car-Jacking

Example: If PIN number is 24.

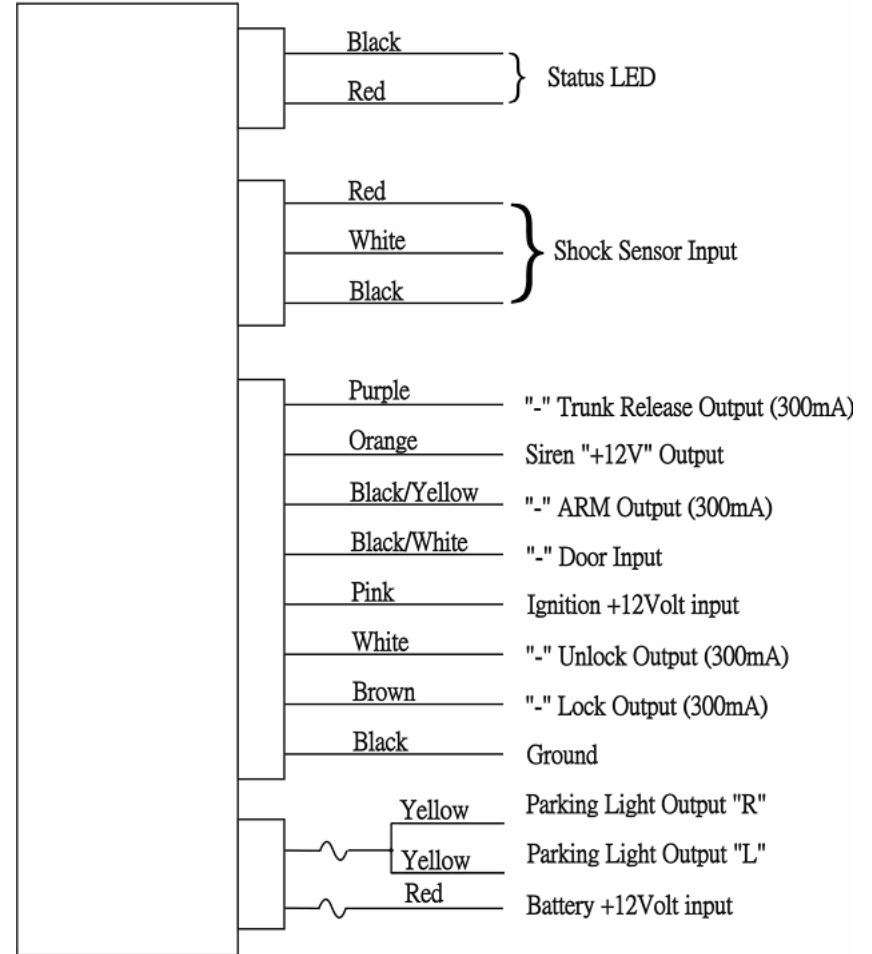
- a) Must be in armed state.
- b) Open the door and leave door open (siren will trigger), and while the ignition is off, wait 3 seconds.
- c) After 3 seconds. Switch ignition to on. The LED will light on.
- d) Switch ignition to off. LED will start to flash, then count number of flashes.
- e) Switch ignition to on immediately after LED flashes 2 times (Same number as the 1st digit of PIN code).
- f) The LED will be light on again when ignition is on.
- g) Switch ignition to off. LED will start to flash again, then count the times of flash.
- h) Switch ignition to on immediately after LED flashes 4 times. (Same number as the 2nd digit of PIN code).
- i) If above 1st & 2nd digits of PIN code is entered correct, the system (or car-jacking) is overridden and disarmed. Please repeat from steps (c) to (i) to re-enter correct PIN number if any error happened. After the system is overridden, turn off the ignition & close the door.

Remote - Table

Ignition key Off-on Switching times	Feature Setting	Car parking lights will flash 1 time or 3 times to confirm what state the feature is set to after pressing of the button on transmitter	
		Flash 1 times	Flash 3 times
5 times	Passive Arm	Disable	Enable
6 times	Passive Lock	Disable	Enable
7 times	Transmitter code-learning Switching the ignition key Off-On 7 times, and keeping at On position at 7 th time, the parking lights will flash twice after 3 seconds, Press any button on new transmitter once, the parking lights will flash 4 times to confirm the transmitter was learned. Please repeat steps to learn the 2 nd transmitter.		
8 times	Ignition Lock / Unlock	Enable	Disable
9 times	Lock time setting	0.9 sec	3.5 sec
10 times	Anti Car-Jacking	Disable	Enable
11 times	Unlock Pulse	1 Pulse For Unlock	2 Pulse For Unlock
12 times	Siren/Horn output	Siren	Horn
13 times	Passive Anti Car-Jacking	Disable	Note: You can only choose one of the two ways of Anti Car-Jacking types.
14 times	Trigger Anti Car-Jacking	Disable	
15 times	New PIN number Setting	<ul style="list-style-type: none"> ● Open the door and leave it open. Switch the Ignition key Off-On 15 times, and keep at On position at 15th Time. ● 2 seconds later, the parking lights will flash 1 time to confirm you, may begin to set the new PIN number. ● Press times of button 1 & press times of Button 2 = 2-digit new PIN number. Example: If new number is 24 Press transmitter button 1 two times, then Press button 2 four times. ● 2 seconds later, parking lights will flash 3 times if new PIN number was learned or parking lights will flash 1 time if new PIN number NOT learned. Please follow the above procedures to set the PIN number again if new PIN number not learned.	

VIKING™

VS 1325



Remark:

The installation place of control module:

Suggest putting the control module (with double side sticker) under the central of car dash-board .